

DATE CODE :
12 A 01 D

YEAR:12=2012
MONTH:A(JAN), B(FEB)...
DAY

PLANT T=TW-TAI WAN
D=DG-DONG GUAN
E=KS-KUNSHAN-CHANG JIANG
K=KS-KUNSHAN-QING YANG
G=CG-CHONG QING

1.MATERIAL:
1.1 INSULATOR: LCP OR OTHER EQUIVALENT HIGH PERFORMANCE RESINS.UL94V-0 RATED.
CONTACT:PHOSPHOR BRONZE.

2.FINISH:
1: 50u"(min.)NICKEL UNDERPLATING OVERALL.
GOLD PLATED ON CONTACT AND SOLDER TAIL AREA.

3.ELECTRICAL CHARACTER:
3.1 LOW LEVEL CONTACT RESISTANCE(DRY CIRCUIT):30 MILLIOHMS MAX.INITIAL

3.2 DIRECTRIC WITHSTANDING VOLTAGE:500VAC

3.3 INSULATION RESISTANCE:500MEGAOHMS MIN.INITIAL

4. PERFORMANCE:
4.1 CURRENT RATING:7.0AMP MAX.PER CONTACT

4.2 VOLTAGE RATING:50 VDC.

4.3 OPERATING TEMPERATURE:-40C~+85C

5.MECHANICAL:

5.1 DURABILITY:5000 CYCLES

5.2 INSERTION FORCE 0.035kgf-0.25kgf(single pin)
WIHTDRAWAL FORCE: 0.030kgf-0.20kgf(single pin)
5.2.1 WHEN MATING CYCLES IS 1-100.

MATING FORCE:0.035kgf/pin-0.18kgf/pin

UNMATING FORCE:0.03kgf/pin-0.17kgf/pin

5.2.2 WHEN MATING CYCLES IS 101-5000

MATING FORCE:0.035kgf/pin-0.25kgf/pin

UNMATING FORCE:0.03kgf/pin-0.2kgf/pin

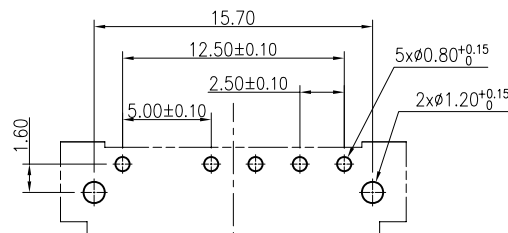
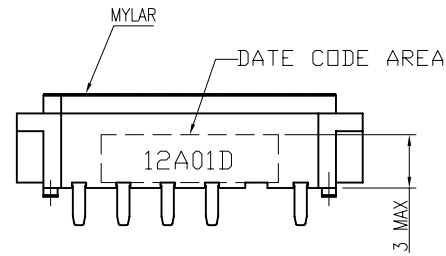
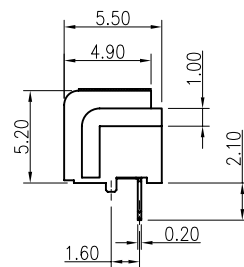
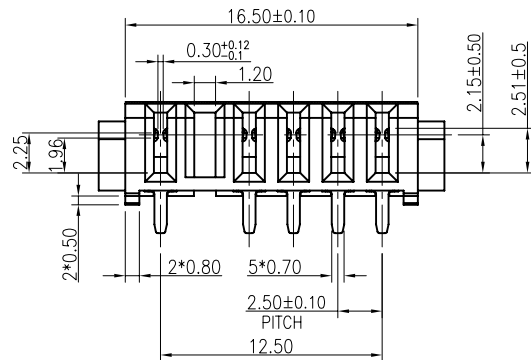
6. SPEC. PLS. REFER TO PS-53029-005XX-XXX

7. PACKAGE PLS. REFER TO 53029-005XX-00-TRP

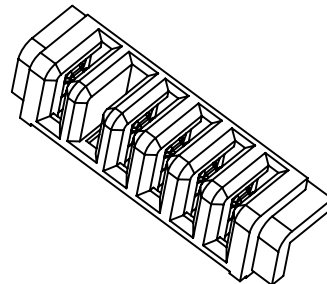
8. P.C.B LAYOUT TOLERANCE:±0.05

9.ORDERING DATA:

53029-005 X X-XXX
CKT X-XXX
PACKING: 0:TAPE & REEL
4:MYLAR WITH TAPE&REEL
PLATING: 1:GOLD FLASH ON CONTACT AND SOLDER TAIL AREA



RECOMMENDED PCB.LAYOUT
T=1.20±0.05MM TOLERANCE±0.05MM



QUALITY SYMBOLS	DRAWN BY	DATE		
MAJOR Ⓜ	Liang,lin ji	19/03/02		
CRITICAL Ⓢ	CHECKED BY	DATE	TITLE 2.50mm BATTERY CONNECTOR DIP S/T TYPE	
GENERAL TOLERANCES (UNLESS SPECIFIED)	Lu, jing quan	19/03/02		
X. ±0.5	APPROVED BY	DATE	SIZE	RFG NO.
.X ±0.25	hsieh,fu yu	19/03/02	A4	N/A
.XX ±0.15	UNITS		mm	
.XXX ±0.1	SCALE		1:1	
ANGLES ±2°	SHEET NO.		1 OF 1	
	REV		C	DWG NO.
				53029-005XX-XXX